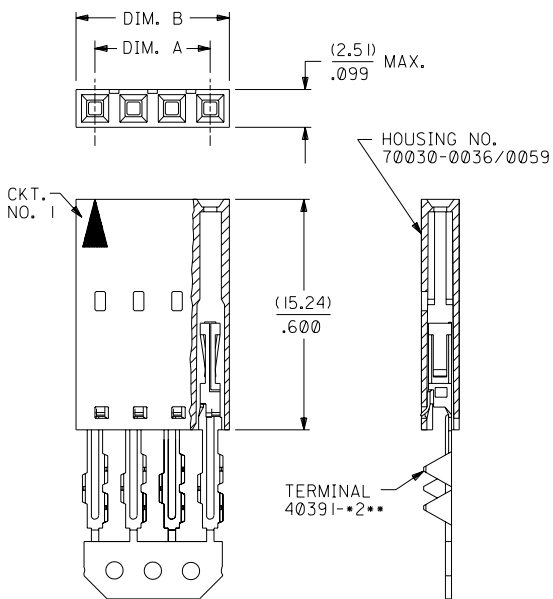
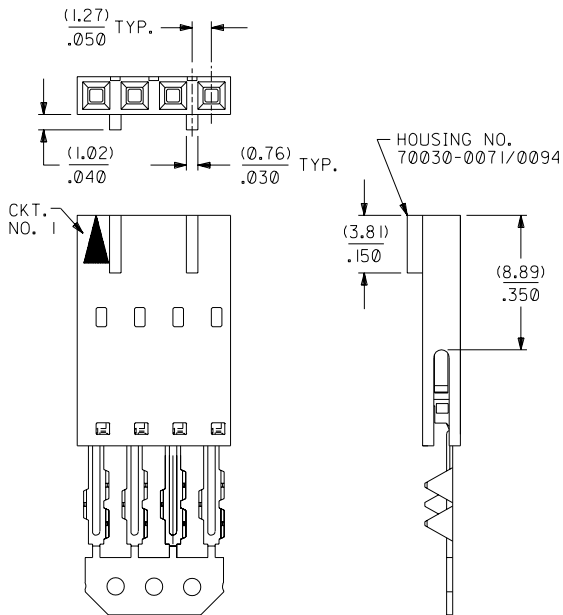


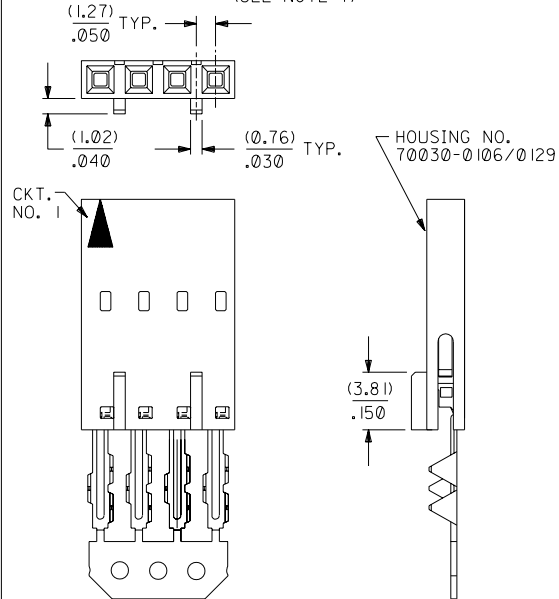
OPTION -A-



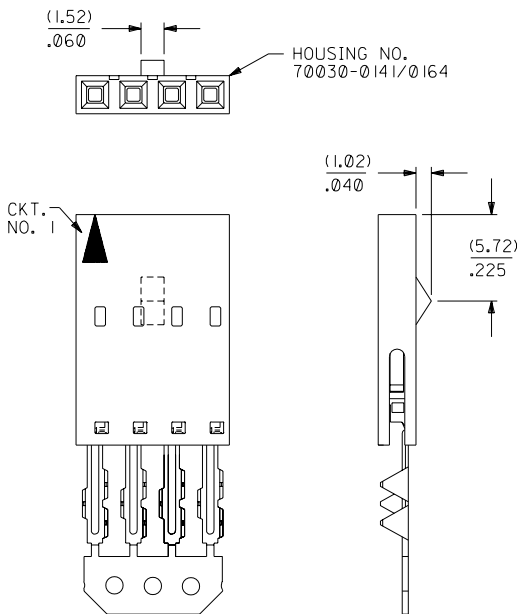
OPTION -C-



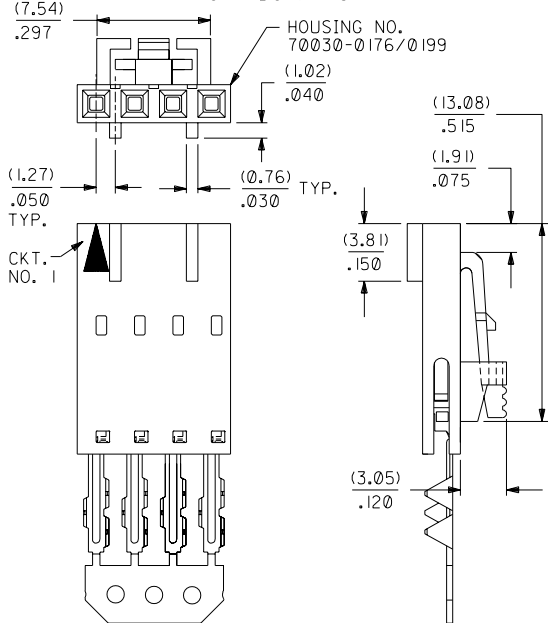
OPTION -D-  
(SEE NOTE 7)



OPTION -E-



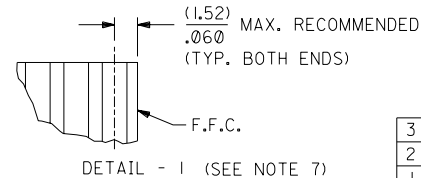
OPTION -G- (SEE NOTE 8)



NOTES:

1. SEE CHART FOR CIRCUIT SIZES.
2. TERMINALS ARE SHOWN PRE-LOADED INTO HOUSING AND LOCKED INTO FIRST ROW.
3. STANDARD PACKAGING PER PK70873-0001 SHALL BE USED.
4. ALL DIMENSIONS ARE FOR REFERENCE ONLY.
5. SEE SHEET (2) OF FAMILY DRAWING FOR PART NO'S. AND PLATINGS
6. PRE LOADED ASSEMBLY TO BE USED WITH (0.35)/.014 MAX. THICK FLAT FLEX CABLE WITH (1.57)/.062 WIDE COPPER CONDUCTORS ON (2.54)/.100 CENTERS OR, (0.13)/.005 - (0.28)/.011 THICK MYLAR WITH (1.02)/.040 - (1.65)/.065 WIDE SILVER INK CONDUCTORS. ON (2.54)/.100 CENTERS.
7. RECOMMENDED F.F.C. CONFIGURATION FOR OPTION "D" ONLY; WHEN USED WITH INTERIM CLIPS, SEE DETAIL 1.
8. SEE SHEET 3 FOR CORE-OUT CONFIGURATION, "G" OPTION.
9. TWO (2) CIRCUIT ASSEMBLIES SUPPLIED ASA GROUPED PAIRS.
10. PLATING IS COLOR CODED. SEE TABLE ON SHEET 2.

CKT. SIZE	"A" (MAX.)	"B" (MAX.)
2	(2.54) .100	(5.05) .199
3	(5.08) .200	(7.59) .299
4	(7.62) .300	(10.13) .399
5	(10.16) .400	(12.67) .499
6	(12.70) .500	(15.21) .599
7	(15.24) .600	(17.75) .699
8	(17.78) .700	(20.29) .799
9	(20.32) .800	(22.83) .899
10	(22.86) .900	(25.37) .999
11	(25.40) 1.000	(27.91) 1.099
12	(27.94) 1.100	(30.45) 1.199
13	(30.48) 1.200	(32.99) 1.299
14	(33.02) 1.300	(35.53) 1.399
15	(35.56) 1.400	(38.07) 1.499
16	(38.10) 1.500	(40.61) 1.599
17	(40.64) 1.600	(43.15) 1.699
18	(43.18) 1.700	(45.69) 1.799
19	(45.72) 1.800	(48.23) 1.899
20	(48.26) 1.900	(50.77) 1.999
21	(50.80) 2.000	(53.31) 2.099
22	(53.34) 2.100	(55.85) 2.199
23	(55.88) 2.200	(58.39) 2.299
24	(58.42) 2.300	(60.93) 2.399
25	(60.96) 2.400	(63.47) 2.499



3	D
2	E
1	E

MFG. SH. REV.

▽ = TBD ▼ = TBD REVISE ONLY ON CAD SYSTEM

TITLE: ASSEMBLY, CONNECTOR F.F.C. FEMALE SINGLE ROW (2.54)/.100 GRID: (FAMILY INDEX)

MOLEX INCORPORATED SHEET NO. DATE  
LISLE, ILL. 60532 U.S.A. 1 OF 3 7/23/86

PART NO. DRWG. NO.  
SDA-70430-\*\*\*\*

FAMILY INDEX

FILE NAME: SET70430X1.DGN THIS DRAWING CONTAINS INFORMATION THAT IS PROPRIETARY TO MOLEX INC. AND SHOULD NOT BE USED WITHOUT WRITTEN PERMISSION.

DA C

DIMENSIONS SHOWN (METRIC) INCH UNLESS OTHERWISE SPECIFIED TOLERANCES: ANGULAR ± 1/2°

	INCH	METRIC
3 PLACE	±	---
2 PLACE	±	---
1 PLACE	---	±

DRAFT WHERE APPLICABLE MUST REMAIN WITHIN DIMENSIONS

DRWG. BY: RAS CHK'D. BY: MJM  
APP'D. BY: WAZ SCALE: 4:1

D PRINT CORRECTIONS ECN #UDT2001-1260 BSMART 05/14/01

C3 ADD CARRIER CHAMF ECN #UDT1998-0280 05/20/98 LMCGRATH

E LEAD FREE UCP2004-1769 RWHITE 04/03/24

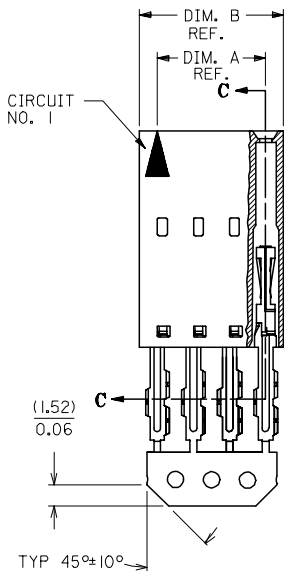
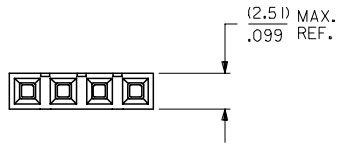
REVISOR PER ECR NO U40643 05-19-94 WGM

LTR. REVISIONS

"A" - OPTION

NOTES:

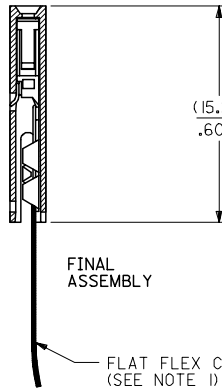
- 1) PRE LOADED ASSEMBLY TO BE USED WITH (0.30)/.012 MAX. THICK FLAT FLEX CABLE WITH (1.57)/.062 WIDE COPPER CONDUCTORS ON (2.54)/.100 CENTERS OR, (0.13)/.005 - (0.28)/.011 THICK MYLAR WITH (1.02)/.040 - (1.65)/.065 WIDE SILVER INK CONDUCTORS ON (2.54)/.100 CENTERS.
- 2) STANDARD PACKING PER PK70873-0001 SHALL BE USED.
- 3) SEE CHART FOR CIRCUIT SIZES, 'A' AND 'B' DIMENSIONS.
- 4) TWO (2) CIRCUIT ASSEMBLIES SUPPLIED AS GROUPED PAIRS.
- 5) PART MATES WITH (0.64)/.025 SQ. PINS, (8.13)/.320 TO (5.08)/.200 LONG ON (2.54)/.100 CENTERS.
- 6) REFER TO SDA-70430-\*\*\*\* (SHEET 3) FOR MINOR VARIATIONS TO 'G' OPTION HOUSINGS.
- 7) PARTS CONFORM TO CLASS B OF COSMETIC SPECIFICATION PS-45499-002.



SECTION C-C



PRE-LOAD ASSEMBLY



FINAL ASSEMBLY  
FLAT FLEX CABLE (F.F.C.)  
(SEE NOTE 1)

HOUSING MATERIAL: GLASS FILLED POLYESTER, UL 94V-0.  
TERMINAL MATERIAL: PHOSPHOR BRONZE.  
PLATING: TIN - .000150 MINIMUM TIN OVER  
.000050 MINIMUM NICKEL PLATE.

CONTACT PLATING	COLOR CODE
TIN	NONE
15 GOLD	YELLOW
30 GOLD	RED

CKT. SIZE	EDP. NO.	ENG. NO.	A	B
2	015-38-8028	70430-0001	(2.54) .100	(5.05) .199
3	015-38-8038	70430-0002	(5.08) .200	(7.59) .299
4	015-38-8048	70430-0003	(7.62) .300	(10.13) .399
5	015-38-8058	70430-0004	(10.16) .400	(12.67) .499
6	015-38-8068	70430-0005	(12.70) .500	(15.21) .599
7	015-38-8078	70430-0006	(15.24) .600	(17.75) .699
8	015-38-8088	70430-0007	(17.78) .700	(20.29) .799
9	015-38-8098	70430-0008	(20.32) .800	(22.83) .899
10	015-38-8108	70430-0009	(22.86) .900	(25.37) .999
11	015-38-8118	70430-0010	(25.40) 1.000	(27.91) 1.099
12	015-38-8128	70430-0011	(27.94) 1.100	(30.45) 1.199
13	015-38-8138	70430-0012	(30.48) 1.200	(32.99) 1.299
14	015-38-8148	70430-0013	(33.02) 1.300	(35.53) 1.399
15	015-38-8158	70430-0014	(35.56) 1.400	(38.07) 1.499
16	015-38-8168	70430-0015	(38.10) 1.500	(40.61) 1.599
17	015-38-8178	70430-0016	(40.64) 1.600	(43.15) 1.699
18	015-38-8188	70430-0017	(43.18) 1.700	(45.69) 1.799
19	015-38-8198	70430-0018	(45.72) 1.800	(48.23) 1.899
20	015-38-8208	70430-0019	(48.26) 1.900	(50.77) 1.999
21	015-38-8218	70430-0020	(50.80) 2.000	(53.31) 2.099
22	015-38-8228	70430-0021	(53.34) 2.100	(55.85) 2.199
23	015-38-8238	70430-0022	(55.88) 2.200	(58.39) 2.299
24	015-38-8248	70430-0023	(58.42) 2.300	(60.93) 2.399
25	015-38-8258	70430-0024	(60.96) 2.400	(63.47) 2.499

ADD TOLERANCE FC NO: UCP2007-2849 DRAWN: JORGAN 2007/05/18 CHKD: MS BARRA 2007/05/21 APPR: SMILLER 2007/05/21 REVISIONS DESCRIPTION	QUALITY SYMBOLS	GENERAL TOLERANCES (UNLESS SPECIFIED)	DIMENSION STYLE	SCALE	DESIGN UNITS	THIRD ANGLE PROJECTION
	▽=0 ▽=0	mm INCH 4 PLACES ± --- ± --- 3 PLACES ± --- ± .010 2 PLACES ± 0.25 ± .015 1 PLACE ± 0.38 ± --- ANGULAR ±1/2°	MM/IN	4:1	INCH	☉ □ THIRD ANGLE PROJECTION
	DRAWN BY: RAS CHECKED BY: MJM APPROVED BY: WAZ	DATE: 1986/07/21 DATE: 1986/07/21 DATE: 1986/07/21	TITLE	ASSEMBLY, CONNECTOR FFC FEMALE SINGLE ROW (2.54)/.100 GRID		
	MATERIAL NO.		SEE TABLE		MOLEX INCORPORATED	

DRAFT WHERE APPLICABLE MUST REMAIN WITHIN DIMENSIONS

THIS DRAWING CONTAINS INFORMATION THAT IS PROPRIETARY TO MOLEX INCORPORATED AND SHOULD NOT BE USED WITHOUT WRITTEN PERMISSION